

Over Voltage Protector (OVP)

Product Brochure

Cathtect OVP (Over Voltage Protector)

Solid-State technology that controls and preserves Cathodic Protection currents, limits and mitigates overvoltage's.

The OVP is a solid state alternative to "Surge arrester" type products. Instead of a gapped design, the OVP uses solid-state components to conduct at very low voltages, providing the best over-voltage protection within predetermined thresholds. Rated for AC fault current as well as high values of lightning surge current, the OVP can be applied to sites where a spark-gap arrester or metal oxide varistor would be inappropriate.

The OVP is a Decoupler type product. However, the OVP is not recommended where steady-state AC voltage exists between the connection points, typically induced AC voltage.

Features & Characteristics

- ◆ Solid State Technology (No arcing)
- ◆ Short Circuit to Ground – “effective ground fault path” (Fail Safe)
- ◆ Conduction at much lower voltages than gapped arresters. (+/-2V or +1/-3V Std.)
- ◆ Rated for AC fault current and Lightning Surge Current
- ◆ Easy installation and optional accessories
- ◆ 1,2kA, 3,7kA, 5kA & 14kA discharge limits @ 30 Cycles
- ◆ Class 1 - 10/350µs waveform;
- ◆ 100kA
- ◆ NEMA 6P / IP 68. Exe – Hazardous Zone 1 & 2.
- ◆ Switch On Near Instantaneous
- ◆ Instantaneous Off
- ◆ Can Handle Multiple Instances

Lightning and electrical surge effects on structures often result in electrical surge or sparking of the insulation or connections. To prevent the flash over and resultant carbon rich path it is advisable to install a Surge arrester, OVP or SSD to lower the potential threshold that can be developed between the two steel faces of the flanges, thereby protecting the integrity of the connection location on the structure. From a safety perspective it is also advantageous to lower the possible voltage that could develop across the insulated flange where personnel may be able to make contact and thus a OVP or Decoupler is advisable.

AC Fault Ratings: 2kA ; 3,7kA ; 5kA ; 9kA ; 14kA.



www.cathtectusa.com

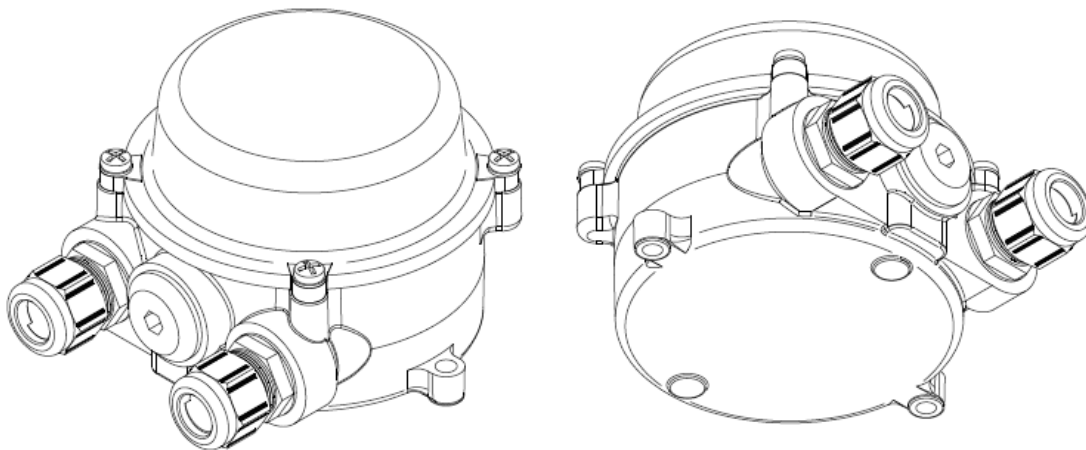
Over Voltage Protector (OVP)

Product Brochure

Cathtect OVP (Over Voltage Protector)

- ◆ Threshold Voltages (+2/-2VDC); (+1/-3VDC); or specify custom at time of ordering.
- ◆ Clamping Type & Fail Safe Condition Short Circuiting
- ◆ Operating Temperature -46°C (-50.8°F) to +65°C (149°F)

Innovative solid state design and construction, robust and capable of industrial surge conditions of 100 kilo Ampere 10/350 μ S waveform, far in excess of the general purpose and domestic 8/20 μ S waveform. The technology surpasses performance of Surge Arrestors, VLDs, and MOV's. The OVP is the ideal choice of technology, where a short circuit can be tolerated during a fault condition.



Contact: sales@cathtectusa.com | +1 772 646 2873

Cathtect
U.S.A. INC.
Catholic Protection Products

www.cathtectusa.com