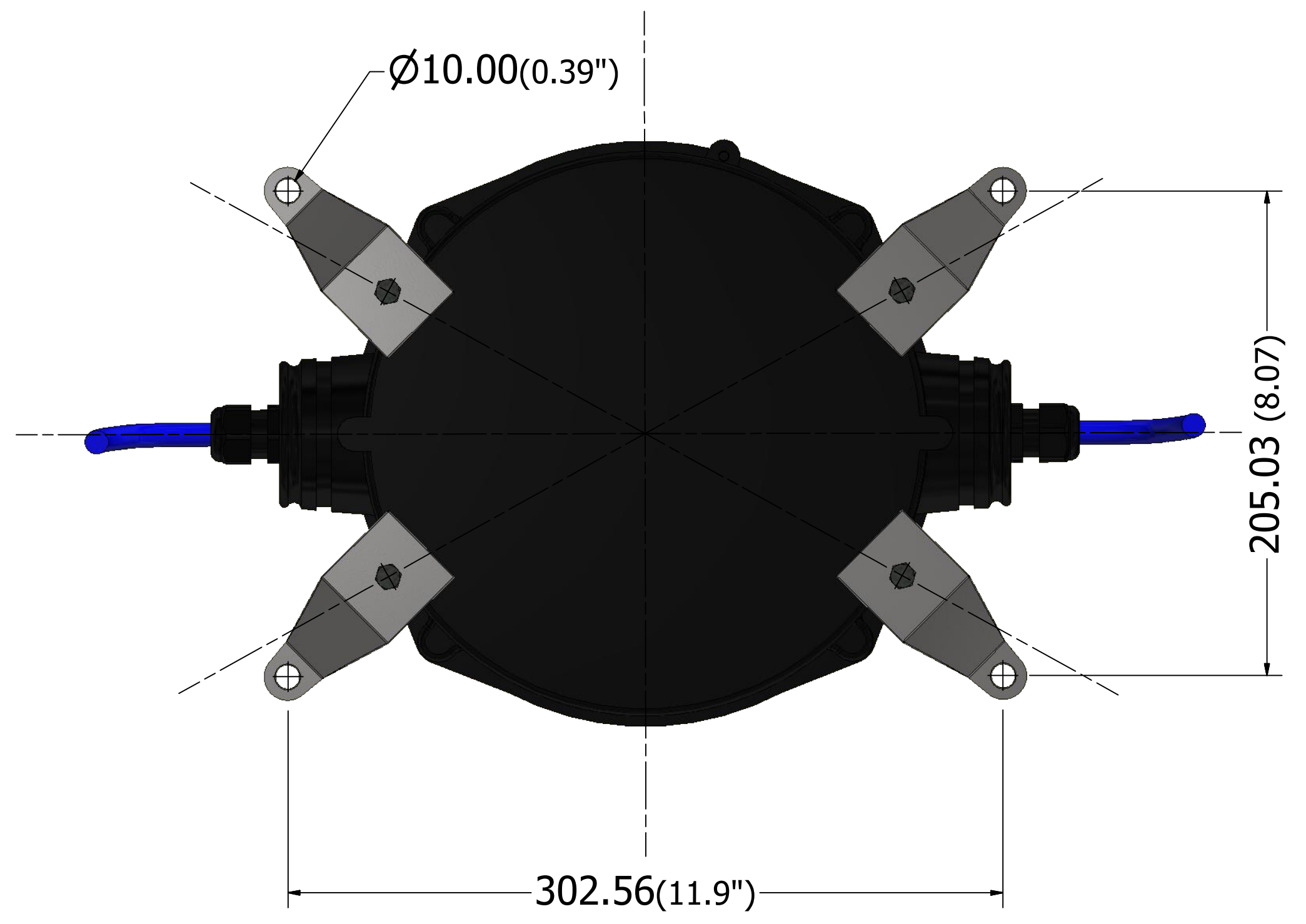
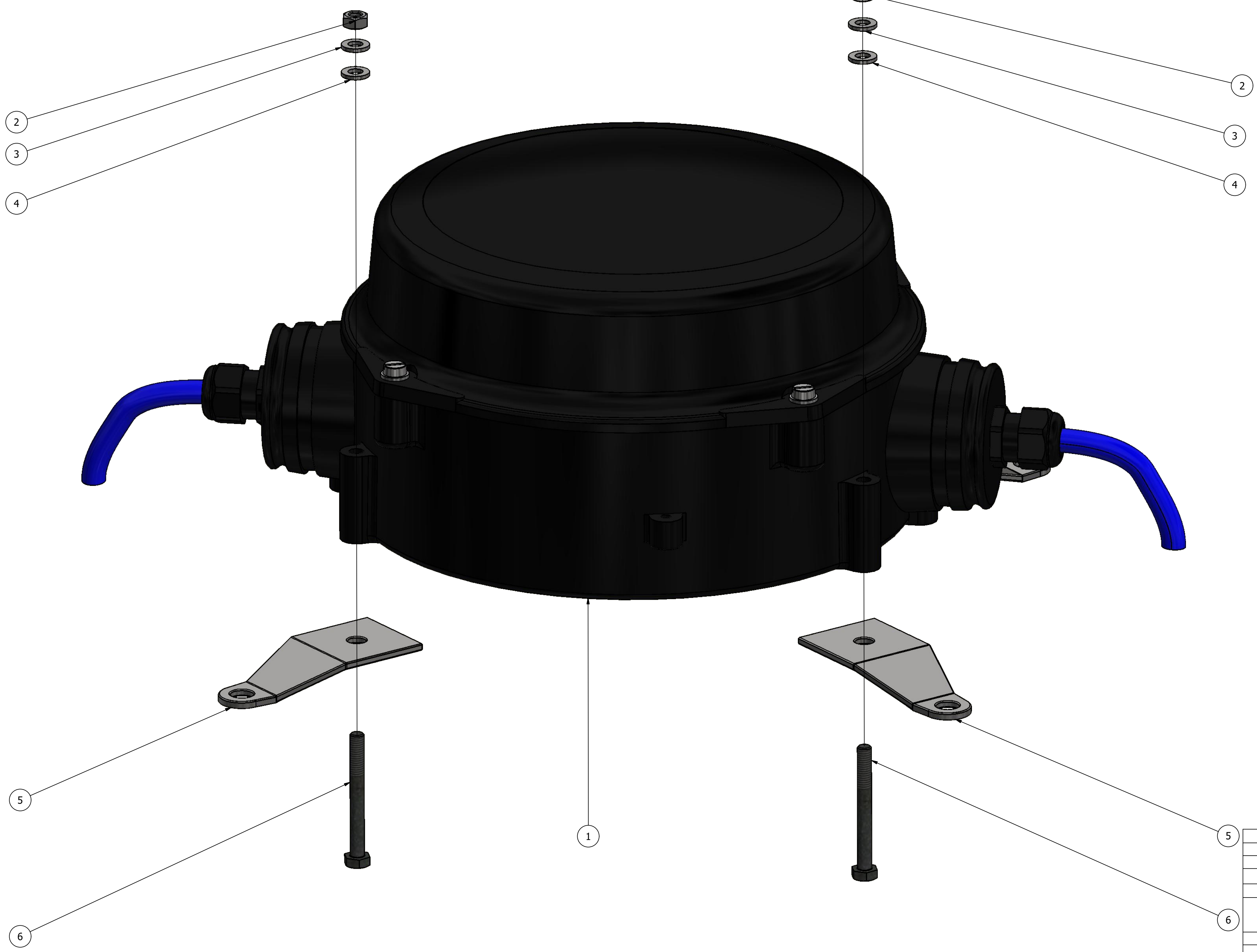



8 7 6 5 4 3 2 1



ITEM	QTY	PART NUMBER	DESCRIPTION
6	4	MEC-BOL-069	6x55mm Bolt Stainless Steel
5	4	GEN-PRO-031	SSD WALL MOUNT BRACKET
4	10	MEC-WAS-026-1336	6mm flat washer E/G
3	4	MEC-WAS-025-1528	6mm Square Medium Spring Washer E/G
2	4	MEC-NUT-025-18745	6mm Hexagon Nuts GR 8 E/G
1	1	ELE-ENC-010-56034	PRA Box Ezee-Fit Exe/n No 4x2 Black Lid Reduced to 20mm Entreis - Engraved with cathtect Logo

Tolerances	Material: N/A		Part # CATH-DSN-DWG-000762M	
	Drawn by: J.A JACOBS	Updated: J.A JACOBS	Date: 18-SEP-2018	Version: 0
Decimal: .X = +/- .030 .XX = +/- .015 .XXX = +/- .005	 M.C. Miller Co. Inc. 11640 U.S. Hwy 1 Sebastian, Florida 32958 772-794-9448 alhilberts@mcmiller.com		Title: SSD WALL MOUNT BRACKET ASSEMBLY DRAWING	

8 7 6 5 4 3 2 1